

# XNP-6550RH

2M 55x Network IR PTZ Camera

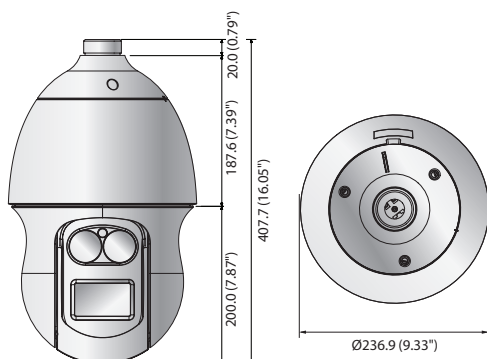


## Key Features

- Max. 2megapixel (1920 x 1080) resolution
- 4.75 ~ 261.4mm (Optical 55x) lens
- Day & Night (ICR), WDR (120dB)
- DIS with built-in gyro sensor
- Max. IR viewable length : 500m (1,640ft)
- H.265, H.264, MJPEG codec support
- Multiple streaming, WiseStream II support
- Intelligent Video / Audio Analytics, Defog (Optical)
- microSD / SDHC / SDXC memory 2 slots (Up to 512 GB)
- IP66, IK10

## Dimensions

Unit : mm (inch)



## Accessories (Optional)



**XNP-6550RH**

<b>VIDEO</b>	
Imaging Device	1 / 2.8" 2.16M CMOS
Total Pixels	1945 (H) X 1109 (V) approx 2.16M pixels
Effective Pixels	1945 (H) X 1097 (V) approx 2.13M pixels
Scanning System	Progressive scan
Min. Illumination	Color : 0.02 lux (1/30sec, F1.6), BW : 0.002 lux (1/30sec, F1.6), 0 Lux (IR LED On)
S / N Ratio	50dB
Video Out	CVBS : 1.0Vp-p / 75Ω composite, 720x480 (N), 720x576 (P), for installation
<b>LENS</b>	
Focal Length (Zoom Ratio)	4.75mm ~ 261.4mm (Optical 55x)
Max. Aperture Ratio	F1.6 (Wide) ~ F6.5 (Tele)
Angular Field of View	H : 58.6° (Wide) ~ 1.23° (Tele) / V : 34.8° (Wide) ~ 0.71° (Tele)
Min. Object Distance	5m (16.40ft)
Focus Control	AF / One-Shot AF / Manual
Lens Type	DC auto iris
Mount Type	Board-in type
Zoom Movement Speed	Max. 5 sec (1x ~ 55x)
<b>PAN / TILT / ROTATE</b>	
Pan Range	360° Endless
Pan Speed	Preset : 400° / sec, Manual : 0.024° / sec ~ 250° / sec
Tilt Range	95° (-5° ~ 90°)
Tilt Speed	Preset : 250° / sec, Manual : 0.024° / sec ~ 250° / sec
Sequence	Preset (300 ea), Swing, Group (6 ea), Trace, Tour, Auto run, Schedule
Preset Accuracy	±0.2°
Azimuth	Yes (E, W, S, N, NE, SE, NW, SW OSD)
Auto Tracking	Off / On
<b>OPERATIONAL</b>	
Viewable Length	500m (1,640ft)
Camera Title	Off / On (Displayed up to 85 characters) - W/W : English / Numeric / Special characters - China : English / Numeric / Special / Chinese characters - Common : Multi-line (Max. 5), Color (Grey / Green / Red / Blue / Black / White) Transparency, Auto scale by resolution
Day & Night	Auto (ICR) / Color / B/W
Backlight Compensation	Off / BLC / HLC / WDR
Wide Dynamic Range	120dB
Contrast Enhancement	SSDR (Off / On)
Digital Noise Reduction	SSNR5 (2D+3D noise filter) (Off / On)
Defog (Optical)	Auto / Manual / Off
Digital Image Stabilization	Off / On (Built-in gyro)
Motion Detection	Yes (8 ea, polygonal zones)
Privacy Masking	Off / On (24 Zones of rectangle zone) - Color : Grey / Green / Red / Blue / Black / White - Zoom ratio option for mask mode - Mosaic option
Gain Control	Off / Low / Medium / High
White Balance	ATW / AWC / Manual / Indoor / Outdoor / Mercury / Sodium
Electronic Shutter Speed	Minimum / Maximum / Anti flicker (2 ~ 1 / 12,000 sec)
Digital Zoom	32x, Area zoom function support digital zoom 2x
Flip / Mirror	On / Off
Intelligent Video Analytics	Tampering, Loitering, Directional detection, Fog detection, Virtual line, Enter/Exit, Appear/Disappear, Audio detection, Face detection, Motion detection, Sound classification

**XNP-6550RH**

<b>Alarm I / O</b>	Input 4 ea / Output 2 ea (Relay type)
<b>Remote Control Interface</b>	RS-485
<b>RS-485 Protocol</b>	Samsung-T, Pelco-D / P, Panasonic, Honeywell, AD, Vicon, GE, BOSCH
<b>Alarm Triggers</b>	Alarm input, Motion detection, Intelligent video analytics, Network disconnect
<b>Alarm events</b>	File upload via FTP&E-Mail, Notification via E-Mail, Local storage (SD/SDHC) or NAS recording at event triggers, External output, PTZ preset
<b>Audio In</b>	Selectable (Mic in / Line in), Supply voltage : 2.5VDC (4mA), Input impedance : approx. 2K Ohm
<b>Audio out</b>	Line out (3.5mm stereo mini jack), Max output level : 1 Vrms
<b>Pixel Counter</b>	Support
<b>NETWORK</b>	
<b>Ethernet</b>	RJ-45 (10/100BASE-T) / SFP (* Only using SBP-303HF)
<b>Video Compression Format</b>	H.265 / H.264 (MPEG-4 Part 10 / AVC) : Main / Baseline / High, Motion JPEG
<b>Resolution</b>	1920 x 1080, 1280 x 1024, 1280 x 960, 1280 x 720, 1024 x 768, 800 x 600, 800 x 448, 720 x 576, 720 x 480, 640 x 480, 640 x 360, 320 x 240
<b>Max. Framerate</b>	H.264 / H.265 : Max. 60fps at all resolutions Motion JPEG : Max. 30fps at all resolutions
<b>Smart Codec</b>	Manual Mode (Area-based : 5ea)
<b>WiseStream II</b>	Support
<b>Video Quality Adjustment</b>	H.264 / H.265 / MJPEG : Target bitrate level control
<b>Bitrate Control Method</b>	H.264 / H.265 : CBR or VBR MJPEG : VBR
<b>Streaming Capability</b>	Multiple Streaming (Up to 10 Profiles)
<b>Audio Compression Format</b>	G.711 u-law / G.726 Selectable G.726 (ADPCM) 8KHz, G.711 8KHz G.726 : 16Kbps, 24Kbps, 32Kbps, 40Kbps AAC-LC : 48Kbps at 16KHz
<b>Audio Communication</b>	Bi-directional (2-Way)
<b>IP</b>	IPv4, IPv6
<b>Protocol</b>	TCP/IP, UDP/IP, RTP (UDP), RTP (TCP), RTCP, RTSP, NTP, HTTP, HTTPS, SSL/TLS, DHCP, PPPoE, FTP, SMTP, ICMP, IGMP, SNMPv1/v2c/v3 (MIB-2), ARP, DNS, DDNS, QoS, PIM-SM, UPnP, Bonjour
<b>Security</b>	HTTPS (SSL) login authentication, Digest login authentication, IP address filtering, User access log, 802.1X authentication (EAP-TLS, EAP-LEAP)
<b>Streaming Method</b>	Unicast / Multicast
<b>Max. User Access</b>	20 users at Unicast mode
<b>Edge Storage</b>	microSD / SDHC / SDXC 2slot (up to 512 GB) - Continuous recording (1'st slot to 2'nd slot) - Motion Images recorded in the microSD / SDHC / SDXC memory card can be downloaded. NAS (Network Attached Storage) Local PC for instant recording
<b>Application Programming Interface</b>	ONVIF Profile S/G, SUNAPI 2.0(HTTP API), Wisenet Open Platform
<b>Webpage Language</b>	English, Korean, Chinese, French, Italian, Spanish, German, Japanese, Russian, Swedish, Portuguese, Czech, Polish, Turkish, Dutch, Hungarian, Greek
<b>Web Viewer</b>	Supported OS : Windows 7, 8.1, 10, Mac OS X 10.10, 10.11, 10.12 Plug-in Free Webviewer - Supported Browser : Google Chrome, MS Edge, Mozilla Firefox (Windows 64bit only), Apple Safari 10 (Mac OS X only) Plug-in Webviewer - Supported Browser : MS Explorer 11, Apple Safari 10 (Mac OS X only)
<b>Central Management Software</b>	SSM, SmartViewer
<b>ENVIRONMENTAL</b>	
<b>Operating Temperature / Humidity</b>	AC24 : -50°C ~ +55°C (-58°F ~ +131°F) / Less than 90% RH HPoE : -40°C ~ +55°C (-22°F ~ +131°F) / Less than 90% RH * Start up should be done at above -30°C (HPoE mode)

**XNP-6550RH**

<b>Storage Temperature / Humidity</b>	-50°C ~ +60°C (-58°F ~ +140°F) / Less than 90% RH
<b>Ingress Protection</b>	IP66
<b>Vandal Resistance</b>	IK10
<b>ELECTRICAL</b>	
<b>Input Voltage / Current</b>	24VAC / HPoE
<b>Power Consumption</b>	Max. 90W (24VAC), 60W (HPoE)
<b>MECHANICAL</b>	
<b>Color / Material</b>	Black (Head), Ivory (Body) / Aluminum, Plastic
<b>Dimension (W x H x D)</b>	Ø 236.9 x 407.7mm (9.33" x 16.05")
<b>Weight</b>	7.2kg (15.87 lb)

\* The latest product information / specification can be found at [hanwha-security.com](http://hanwha-security.com)

\* Design and specifications are subject to change without notice.

\* Wisenet is the proprietary brand of **Hanwha Techwin**.