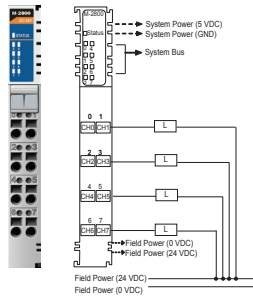




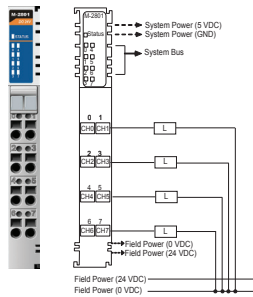
Digital Output Modules

8-channel 24 VDC digital output modules



M-2800: 8 digital outputs, sink type, 24 VDC, 0.5 A

Output Voltage Range: 24 VDC nominal, min. 11 VDC to max. 28.8 VDC
On-state Voltage Drop: Max. 0.3 VDC @ 25°C
On-state Current: Min. 1 mA per channel
Off Leakage Current: Max. 50 µA
Current Rating: 0.5 A per channel
Common Type: 8 channels per external common (single common)
Power Consumption: 60 mA @ 5 VDC

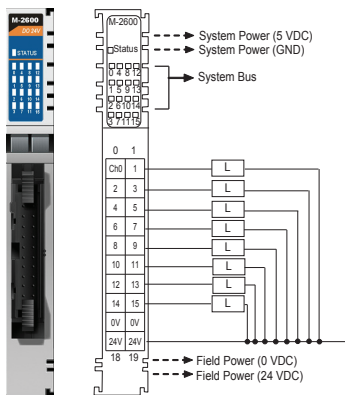


M-2801: 8 digital outputs, source type, 24 VDC, 0.5 A

Output Voltage Range: 24 VDC nominal, min. 11 VDC to max. 28.8 VDC
On-state Voltage Drop: Max. 0.3 VDC @ 25°C
On-state Current: Min. 1 mA per channel
Off Leakage Current: Max. 50 µA
Current Rating: 0.5 A per channel
Common Type: 8 channels per external common (single common)
Power Consumption: 60 mA @ 5 VDC



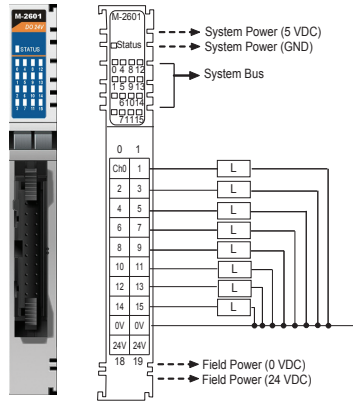
16-channel digital output modules



M-2600: 16 digital outputs, sink type, 24 VDC, 0.3 A

Output Voltage Range: 24 VDC nominal, min. 11 VDC to max. 28.8 VDC
On-state Voltage Drop: Max. 0.3 VDC @ 25°C
On-state Current: Min. 1 mA per channel
Off Leakage Current: Max. 50 µA
Current Rating:
 • 0.3 A per channel
 • 4 A per common
Common Type: 16 channels for 2 COMs (single common)
Power Consumption: 80 mA @ 5 VDC



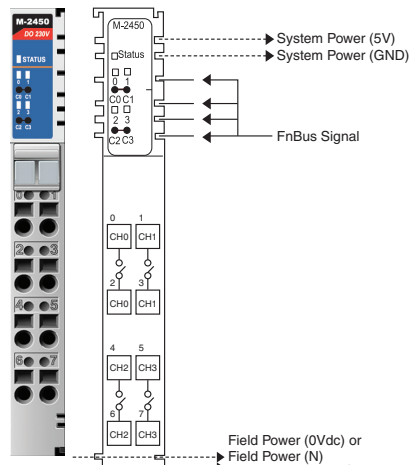


M-2600: 16 digital outputs, sink type, 24 VDC, 0.3 A

- Output Voltage Range:** 24 VDC nominal, min. 11 VDC to max. 28.8 VDC
- On-state Voltage Drop:** Max. 0.3 VDC @ 25°C
- On-state Current:** Min. 1 mA per channel
- Off Leakage Current:** Max. 50 µA
- Current Rating:**
 - 0.3 A per channel
 - 4 A per common
- Common Type:** 16 channels for 2 COMs (single common)
- Power Consumption:** 80 mA @ 5 VDC



4-channel relay output modules



M-2450: 4 relay outputs, 24-VDC/230-VAC, 2 A

- Relay Type:**
 - Form A, Normally Open (N.O.)
 - Single Pole, Single Throw (SPST)
- Output Voltage Range:** Load dependent
 - 5 to 28.8 VDC @ 2 A resistive
 - 48 VDC @ 0.8 A resistive
 - 110 VDC @ 0.3 A resistive
 - 250 VAC @ 2 A resistive
- Output Current Rating:** At rated power
 - 2 A @ 5 to 28.8 VDC
 - 0.8 A @ 48 VDC
 - 0.5 A @ 110 VDC
 - 2 A @ 250 VAC
- Min. Load:** 100 µA, 100 m VDC per point
- Max. On-state Voltage Drop:** 0.5 V @ 2 A, resistive load, 24 VDC
- Off-state Leakage Current:** Max. 1.5 mA
- Common Type:** 1 channel for 1 COM
- Power Consumption:** 65 mA @ 5 VDC



Ordering Information

		Digital Output Modules				
Specs	Model	M-2800	M-2801	M-2600	M-2601	M-2450
	Channels	8	8	16	16	4
	Sink/Source	Sink	Source	Sink	Source	Relay
	Connector	RTB	RTB	20-pin	20-pin	RTB
	Voltage	24 VDC	24 VDC	24 VDC	24 VDC	230 VAC/ 24 VDC
	Current	0.5 A	0.5 A	0.3 A	0.3 A	2.0 A
	Isolation	Optical isolation				
	Diagnostics	-	-	-	-	-