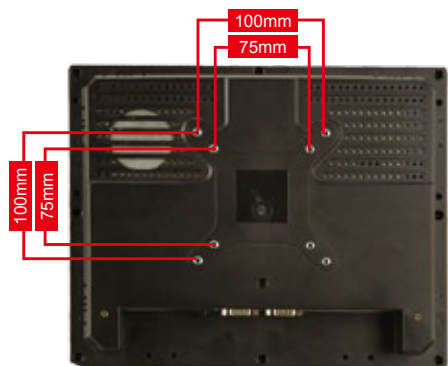


# IEI Quick Mounting Technology



Compliant with VESA Mounting Standards  
IEI panel solutions have four mounting holes compliant with the VESA (Video Electronics Standards Association) mounting standard (75mm x 75mm/100mm x 100mm) on the rear panel for stand mounting and other mounting methods.



- |                          |                            |
|--------------------------|----------------------------|
| <b>1. Stand Mounting</b> | <b>5. In-Wall Mounting</b> |
| <b>2. V-STAND</b>        | <b>6. Panel Mounting</b>   |
| <b>3. ARM</b>            | <b>7. Rack Mounting</b>    |
| <b>4. Wall Mounting</b>  | <b>8. Din Mounting</b>     |

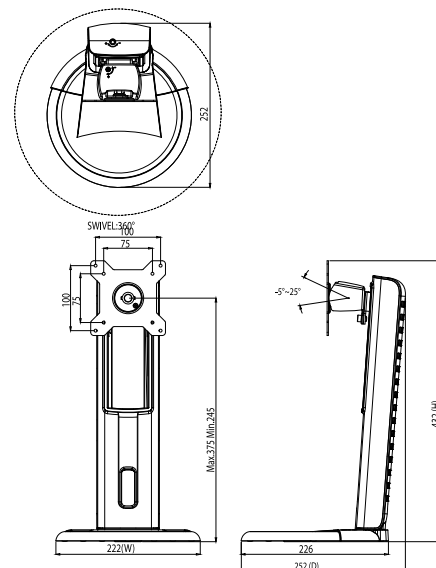
## 1. Stand Mounting

### VESA 75/100 Universal Stand

STAND-A21-R10



**New**

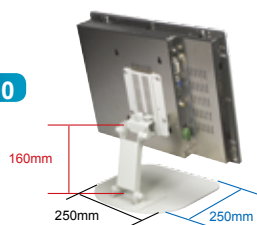


### Ordering Information

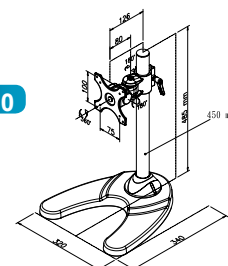
Part No.	Description
STAND-A21-R10	15"~21" VESA 75x75 mm/100x100 mm PPC/Monitor Stand, support from 6 KG to ~12 KG, Black, RoHS



STAND-100



STAND-210



### Ordering Information

Part No.	Description
STAND-100-RS	<ul style="list-style-type: none"> <li>Material: Heavy-duty steel</li> <li>Adjustable display angle</li> <li>3kg to 8kg loading capacity</li> <li>Color: White (Pantone 413C)</li> </ul>

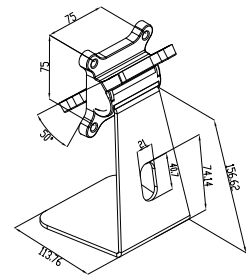
### Ordering Information

Part No.	Description
STAND-210-R11	<ul style="list-style-type: none"> <li>Support VESA 75/100 standard</li> <li>Weight capacity from 7kg~10kg</li> </ul>

## VESA 75/100 Easy Stand

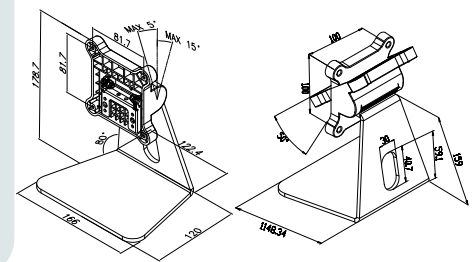


**STAND-B08**



**STAND-A19-RS**

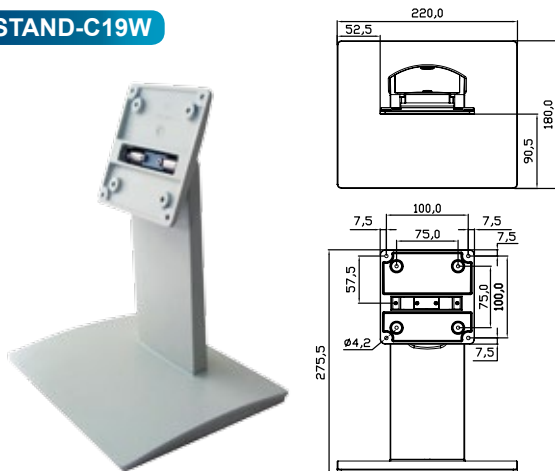
**STAND-A12-RS**



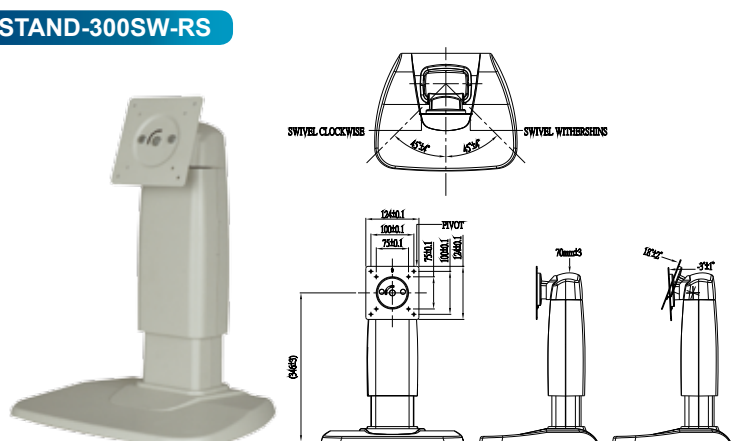
## Ordering Information

Part Number	Description
STAND-B08	5.6"~8.4" VESA 75x75mm PPC/monitor stand, support up to 5 kg, Silver color, RoHS
STAND-C12-R10	5.7" ~ 12.1" VESA 100x100mm, 75x75mm PPC/Monitor Stand, support up to 7.5kg, Black color, RoHS
STAND-A12-RS	10"~12.1" VESA 100x100mm PPC/monitor stand, support up to 5 kg, Silver color, RoHS
STAND-A19-RS	12.1"~19" VESA 100x100mm PPC/monitor stand, support up to 7.5 kg, Silver color, RoHS
STAND-C19-R10	15" ~ 19" VESA 100x100mm, 75x75mm PPC/monitor stand, support up to 15 kg, Black color, RoHS

**STAND-C19W**



**STAND-300SW-RS**



Part No.	Description
STAND-C19W-R10	15"~19" VESA 75/100 PPC/Monitor Stand, support up to 15kg, White color, RoHS
STAND-300SW-RS	15"~19" VESA 75/100 PPC/Monitor Stand, support form 7 to 9kg, White color, RoHS

## 2. V-STAND

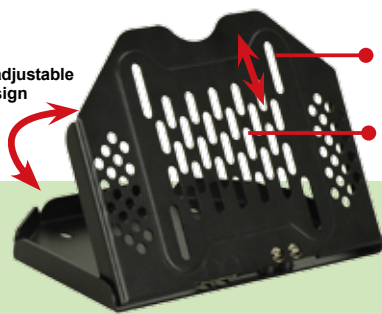
### VESA Multi-Mounting Stand

IEI patented multi-mounting V-Stand allows wall, ceiling, desk, rear and side mounting to meet diverse applications. Its 0° to 90° adjustable hinge design provides optimal viewing in various environments, such as kitchen, room or shelf.

VESA	Model
75 x 75mm	VSTAND-A07-R11
	VSTAND-A10-R11
75 x 75mm / 100 x 100mm	VSTAND-A12-R11



3. 0° to 90° adjustable hinge design



1. Height adjustable and VESA 75/100 compliant mounting holes

2. Heat dissipation holes help to cool down the system

#### Features:

- 0° to 90° adjustable hinge design allows comfortable viewing
- Standard VESA 75/100 compliance
- Heat dissipation holes
- Compact size, easy to use for mounting anywhere

### A. One fits all solution

The V-Stand is a compact and tilt adjustable mounting stand providing mobility and ergonomic comfort to fit common wall mounting and ceiling mounting situations.



### B. 0° to 90° excellent adjustability

You can change the angle of the stand from 0° to 90° to reach almost any point with ergonomic features for comfortable viewing.



POS System



Self-ordering System

No Hinge Limitation!

### C. Space saving and easy installation

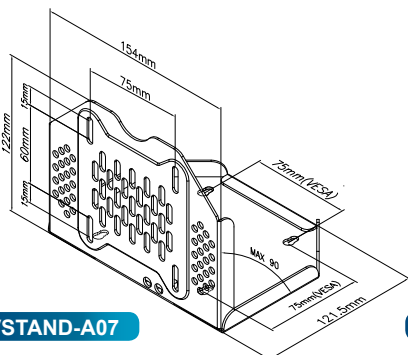


1: Tighten the screws in the rear of the AFOLUX PPC VESA mounting holes

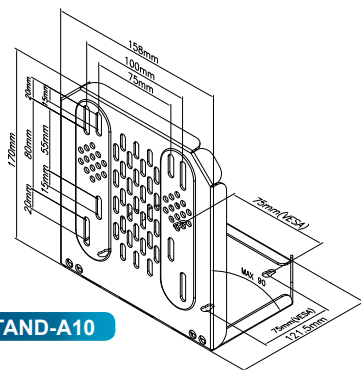
2: Select the position to mount stand kit

3: Plug in the system to operate

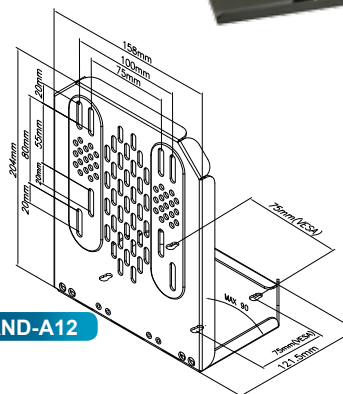
Compact size provides mobility



VSTAND-A07



VSTAND-A10



VSTAND-A12

### Ordering Information

Part No.	Description
VSTAND-A07-R11	LCD monitor / PPC stand V type, for AFL series, VESA 75, 0°~90° degree adjustable hinge, support up to 2.5 kg, RoHS
VSTAND-A10-R11	LCD monitor / PPC stand V type, for AFL series, VESA 75/100, 0°~90° degree adjustable hinge, support up to 3 kg, RoHS
VSTAND-A12-R11	LCD monitor / PPC stand V type, for AFL series, VESA 75/100, 0°~90° degree adjustable hinge, support up to 3.5 kg, RoHS

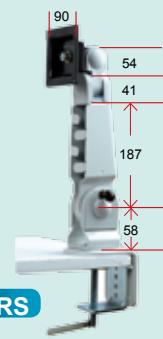
### 3. ARM

#### VESA 75/100 Desk ARM

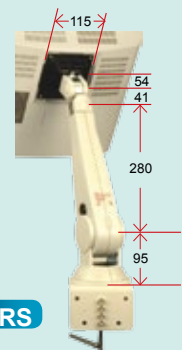
VESA	Model
75x75mm/100x100mm	ARM-11-RS ARM-31-RS

#### Ordering Information

Part No.	Description
ARM-11-RS	LCD Monitor / PPC ARM, VESA 75/100, 3kg~6kg, RoHS
ARM-31-RS	LCD Monitor / PPC ARM, VESA 75/100, 7kg~14kg, RoHS



ARM-11-RS

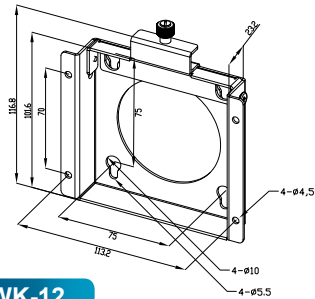
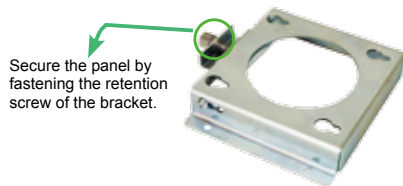


ARM-31-RS

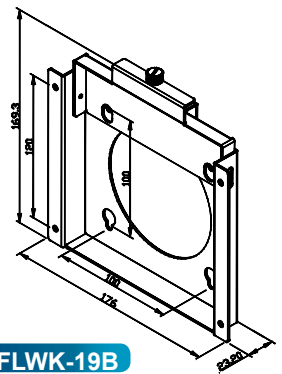
### 4. Wall Mounting

#### VESA 75/100 Wall Mounting

VESA	Model
75x75mm 100x100mm	AFLWK-12 AFLWK-19B



AFLWK-12



AFLWK-19B

#### Ordering Information

Part No.	Description
AFLWK-12	5.6"~12" VESA 75x75mm PPC/Monitor Wall Mount Kit with Retention Screw, Silver color, RoHS
AFLWK-19B	15"~19" VESA 100x100mm PPC/Monitor Wall Mount Kit with Retention Screw, Silver color, RoHS

### 5. In-Wall Mounting

**Self-drilling screws**

1. Diameter: M4
2. Length: >15mm

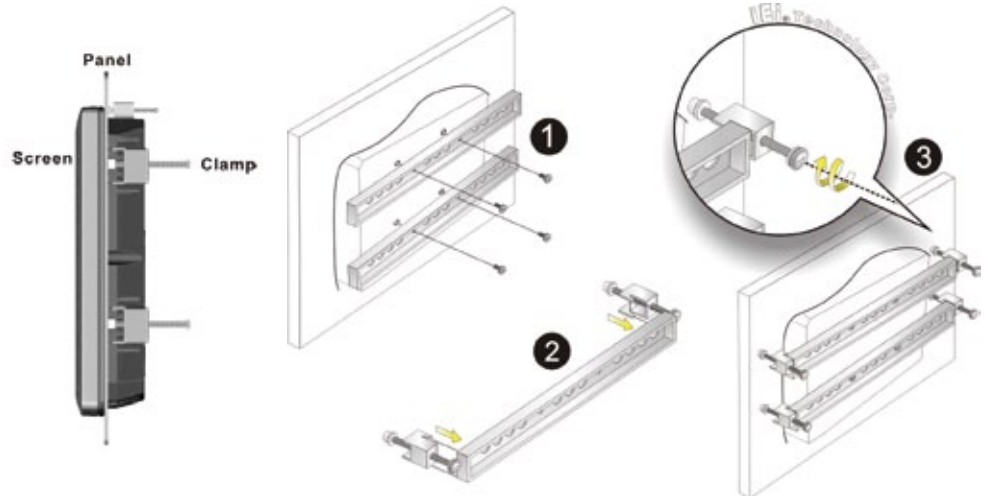
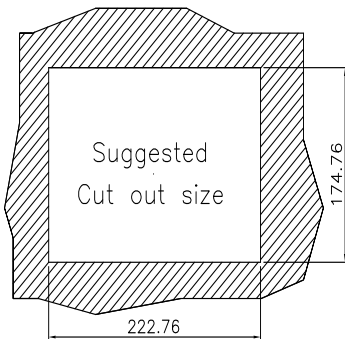
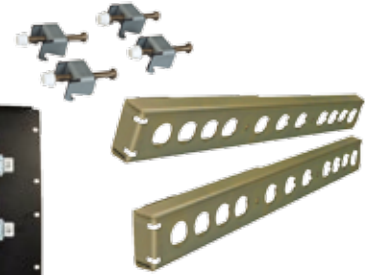
**AFL-4 Series**

## 6. Panel Mounting

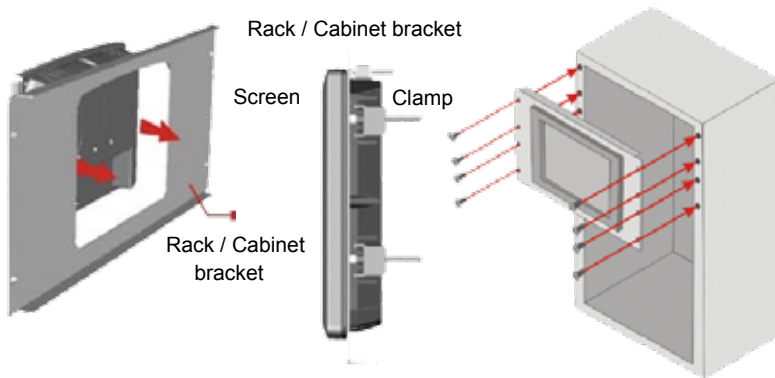
### Type A



### Type B



## 7. Rack Mounting



### Ordering Information

Part No.	Description
AFLRK-xx	For AFOLUX PPC/Monitor Series

## 8. Din Mounting



### Ordering Information

Part No.	Description
DK-84MS	For 6.5"-8.4" Industrial Aluminum Panel PCs/ Industrial Monitors