

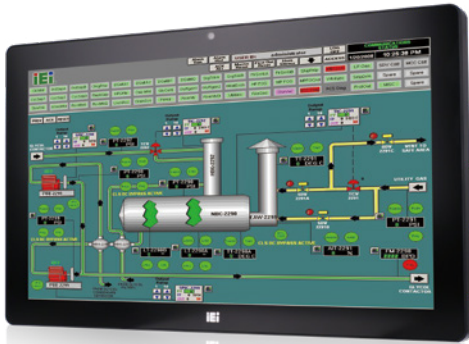
# AFL3-W19C-ULT3

Intel® Core™ i5 and Celeron® ULT Processor

# AFL3-W19A-AL

Intel® Celeron® / Atom™ Apollo Lake Processor

Preliminary



## Features

- 18.5" light industrial interactive panel PC
- Wide range DC power input
- Selectable AT/ATX power mode
- Built-in speakers
- One mSATA slot
- IP64 compliant front panel
- IEI One Key Recovery solution allows you to create rapid OS backup and recovery (suggested with over 4GB storage capacity)



## Specifications

Model		AFL3-W19C-ULT3	AFL3-W19A-AL <span style="border: 1px solid black; padding: 2px;">Preliminary</span>
LCD	Size	18.5"	18.5"
	Resolution	1366 x 768 (16:9)	1366 x 768 (16:9)
	Brightness (cd/m <sup>2</sup> )	250	250/350
	Contrast Ratio	1000:1	1000:1
	LCD Color	16.7M	262K
	Pixel Pitch (mm)	0.240 (H) x 0.240 (V)	0.240 (H) x 0.240 (V)
	Viewing Angle (H-V)	170°/160°	170°/160°
	Backlight MTBF(hrs)	30,000 (LED backlight panel)	30,000 (LED backlight panel)
Touch	Touch Screen	Projected capacitive type with USB interface	Projected capacitive type with USB interface (anti-UV)
	Touch Controller	EETI EXC3180	EETI EXC3188
Motherboard	CPU	Intel® Core™ i5 and Celeron® ULT Processor	Intel® Atom™ Processor E3940 (2M Cache, 1.6 GHZ up to 1.80 GHZ) ,TDP 9.5W Intel® Celeron® Processor N3350 (2M Cache, 1.1 GHZ up to 2.40 GHZ) , TDP 6W
	RAM	Two 260-pin 2133/1867 MHz dual-channel DDR4 SO-DIMMs (system max. 32 GB)	One 204-pin 1600/1333 MHz single-channel DDR3L SO-DIMM, 4GB pre-installed (system max. 8GB)
	Ethernet	2 x Intel® I211-AT PCIe GbE controller	2 x PCIe GbE by Intel® i211 controller
	Audio Codec	ALC892	
Storage		(1) 1 x 2.5" SATA 3Gb/s HDD bay (2) 1 x M.2 M key PCIe storage (2280 or 22110) (3) 1 x mSATA slot	(1) 1 x 2.5" SATA 3Gb/s HDD bay (2) 1 x mSATA slot
	I/O Ports & Switch	1 x RS-232 by DB-9 (RI/5V/12V) 1 x RS-232/422/485 by DB-9 (RI/5V/12V) 2 x GbE LAN 4 x USB 3.0 1 x HDMI output 1 x Power switch 1 x Reset button 1 x AT/ATX switch 1 x 9V ~ 30V lockable power jack	1 x RS-232/422/485 by RJ-45 1 x RS-232 by RJ-45 2 x GbE LAN 2 x USB 3.0 2 x USB 2.0 1 x HDMI output 1 x 12V ~ 34V DC Jack 1 x Power switch 1 x AT/ATX switch 1 x Line out
Audio	AMP 3W + 3W (internal speaker)		
Camera and Microphone	2-megapixel with low light function, digital microphone		2-megapixel with low light function, digital microphone
Wireless & Bluetooth	IEEE 802.11a/b/g/n/ac, Bluetooth v4.0 (M.2 slot)		IEEE 802.11a/b/g/n/ac, Bluetooth v4.0 (M.2 slot)
OSD Function	Software OSD		
Physical	Front Panel Construction	PC + ABS Plastic	PC + ABS Plastic
	Mounting	Panel, Wall, Rack, Stand and Arm VESA 75mm x 75mm / 100mm x 100mm	Panel, Wall, Stand and Arm VESA 100mm x 100mm
	Color	Black C	Black C
	Dimensions (W x H x D) (mm)	470 x 290 x 70	470 x 280 x 60
	Cut-out Dimensions (W x H) (mm)	443 x 261	418 x 230
	Net/Gross Weight (kgs)	7.3/10	6.3/9
Environment	Operating Temperature (Ambient with air flow)	-20°C ~ 50°C	-15°C ~ 50°C
	Storage Temperature	-20°C ~ 60°C	
	Humidity	10% to 95% (non-condensing)	
	IP Level	IP 64 compliant front panel	
	Safety & EMC	CE / FCC	
Thermal Solution	Fanless		
Power	Power Requirement	9V ~ 30V DC	12V ~ 34V DC
	Power Consumption	12V@7.1A (Intel® Core™ i5-6300U CPU with 4GB DDR4 2133 MHz DDR4 memory)	12V@3.2A (Intel® Core™ i5-6300U CPU with 4GB DDR4 2133 MHz DDR4 memory)

## Ordering Information

Part No.	Description
AFL3-W19C-ULT3-C/PC/4G-R10	Wide 18.5" 250 cd/m <sup>2</sup> 1366 x 768 Panel PC with Intel® 14nm 6th Generation Mobile Celeron® 3955U (15W) on-board Processor (ULT), 1*4GB DDR4 RAM, 802.11a/b/g/n/ac WiFi module, PCAP touch, 2 M camera, microphone, R10
AFL3-W19C-ULT3-i5/PC/4G-R10	Wide 18.5" 250 cd/m <sup>2</sup> 1366 x 768 Panel PC with Intel® 14nm 6th Generation Mobile Core™ i5-6300U (15W) on-board Processor (ULT), 1*4GB DDR4 RAM, 802.11a/b/g/n/ac WiFi module, PCAP touch, 2 M camera, microphone, R10
AFL3-W19A-AL-E2/PC/4G-R10	Wide 18.5" 250 cd/m <sup>2</sup> 1366 x 768 Panel PC with Intel® 14nm Atom™ Processor E3940 (9.5W) on-board Processor (Apollo lake), 1*4GB DDR4 RAM, 802.11a/b/g/n/ac WiFi module, PCAP touch, 2M camera, microphone, R10
AFL3-W19A-AL-N1/PC/4G-R10	Wide 18.5" 250 cd/m <sup>2</sup> 1366 x 768 Panel PC with Intel® 14nm Celeron® Processor N3350 (6W) on-board Processor (Apollo lake), 1*4GB DDR4 RAM, 802.11a/b/g/n/ac WiFi module, PCAP touch, 2M camera, microphone, R10

## Options

Item	AFL3-W19C-ULT3	AFL3-W19A-AL
Panel Mounting Kit	AFL3PK-W19C-R10	
Wall Mounting Kit	AFLWK-19B	
Arm	ARM-11-RS/ARM-31-RS	
Stand	STAND-A21-R10/ STAND-210-R11/STAND-A19-RS/STAND-C19-R10	
Magnetic Card Reader	AFL3P-W10MSR-U-R10	
Barcode Scanner	AFL3-2D-R11	
RFID Reader (13.56 MHz Mifare Type) (For ATO assembly)	AFL3-MF-RFID-KIT02-R10	
*OS: Win 7 Embedded (64-bit)	AFL3-W15C-ULT3-WES7P64-R10	N/A
*OS: Win 10 IOT Enterprise (64-bit)	AFL3-W15C-ULT3-W10E64-V-R10	AFL3-W19A-AL-W10E64-E-R10

\*OS image with CD-ROM without storage

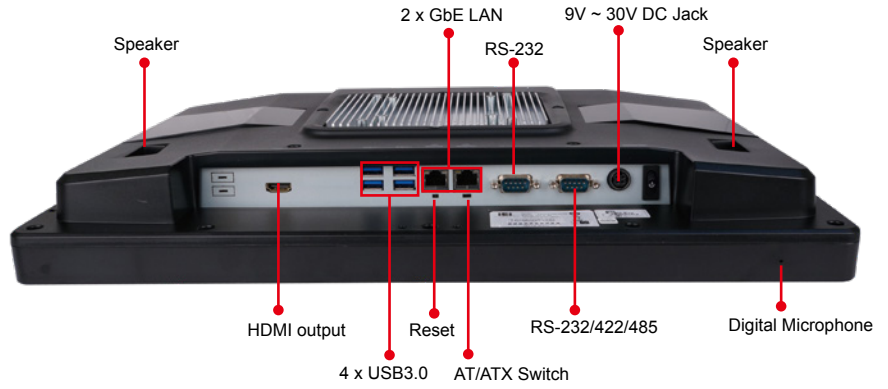
## E-Window (for ATO assembly)

Part No.	Description
E-MPCIE-LAN02-R10	PCIe Mini card supports 1-port GbE with Realtek RTL8111E controller, with PMS 194C I/O bracket and 340 mm cable, R10
E-MPCIE-CClink02-R10	PCIe Mini card supports CC-Link Slave interface according to V2.0 and V1.1, with PMS black C I/O bracket and 300mm cable, R10
E-MPCIE-PROFIBUS02-R10	PCIe Mini card supports universal PROFIBUS DP card for Master or Slave, with PMS black C I/O bracket and 300mm cable, R10
E-MPCIE-EtherCAT-R10	PCIe Mini card supports universal for all Real-Time Ethernet protocols, with PMS black C I/O bracket and 280mm cable, R10
E-MPCIE-3G-R10	PCIe Mini card supports 3G WWAN, with PMS 130C I/O bracket, RF antenna 300mm cable and GSM antenna cable, R10

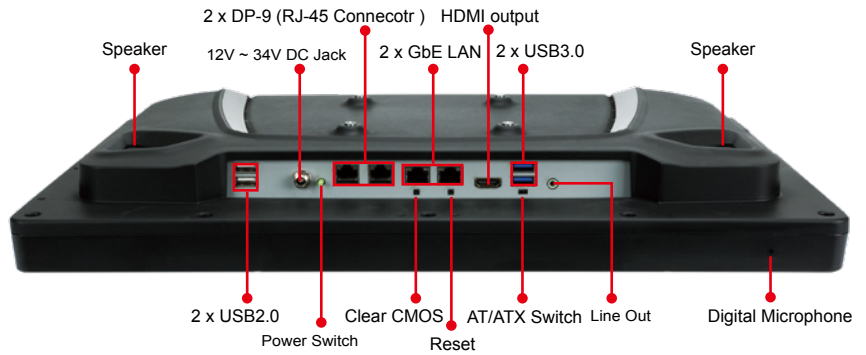
## Packing List

Item	Part No.	Q'ty	Description
One Key Recovery DVD	7B000-001083-RS	1	
Round head machine screw	44403-040061-RS	4	M2*4 round head machine screw
Pan head machine screw	44003-030052-RS	4	M4*6 pan head machine screw
Power cord	32702-000200-100-RS	1	
Power adapter	63040-010096-100-RS (AFL3-W19C-ULT3) 63040-010060-120-RS (AFL3-W19A-AL)	1	96W; Vin: 90V~264V AC; Vout: 12VDC 60W; Vin: 90V~264V AC; Vout: 12VDC
Driver CD		1	

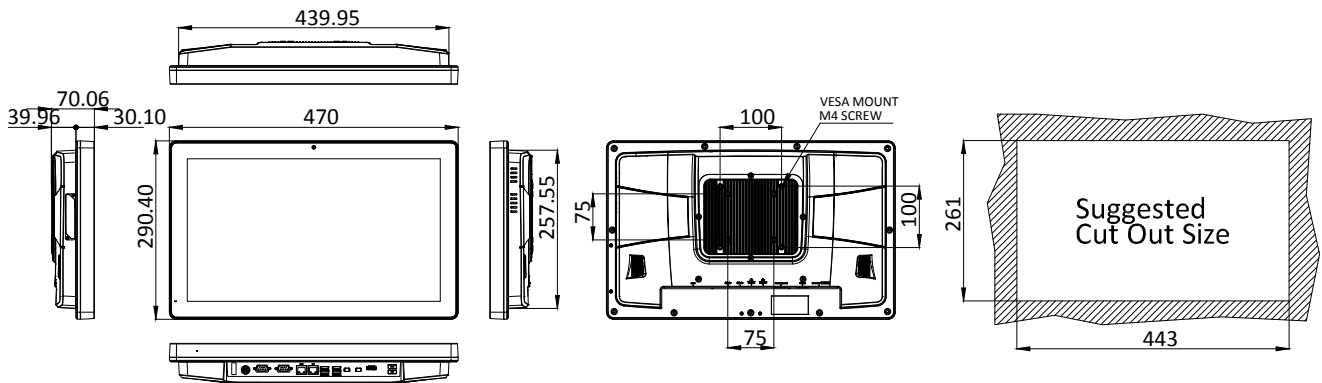
**AFL3-W19C-ULT3**  
Fully Integrated I/O



**AFL3-W19A-AL**  
Fully Integrated I/O



**AFL3-W19C-ULT3 Dimensions (Unit: mm)**



**AFL3-W19A-AL Dimensions (Unit: mm)**

