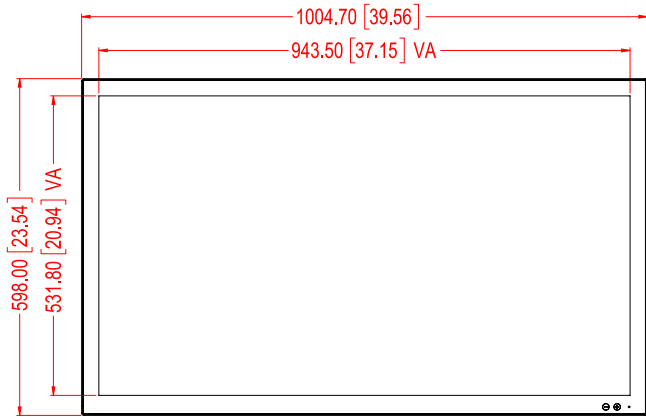
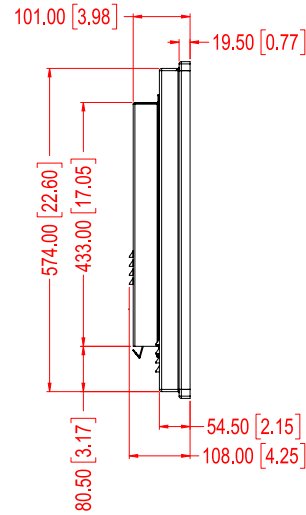


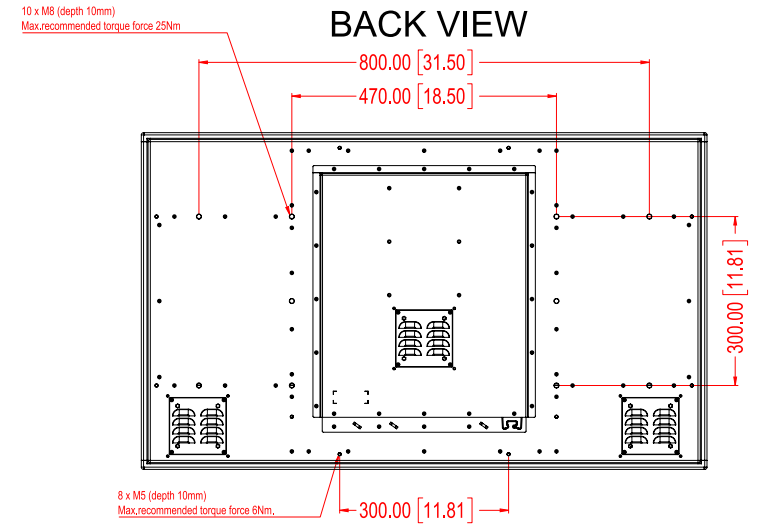
FRONT VIEW



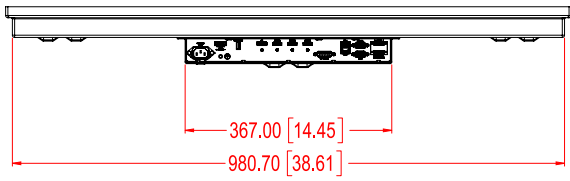
SIDE VIEW



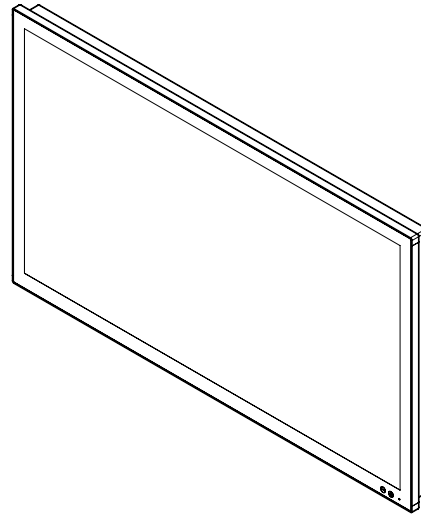
BACK VIEW



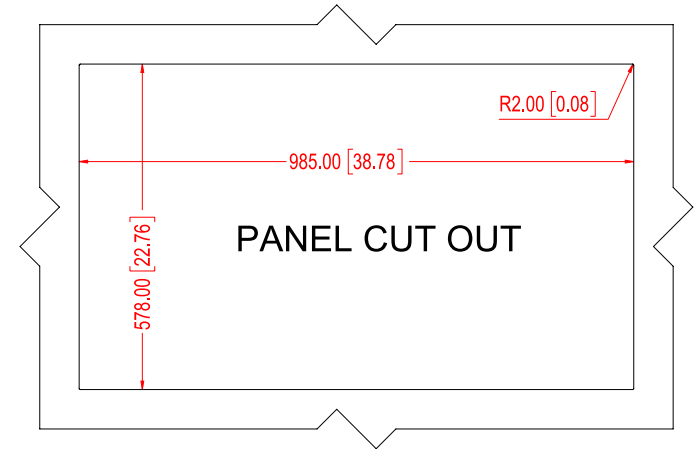
BOTTOM VIEW



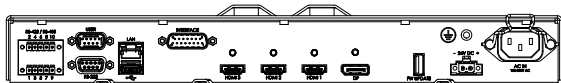
ISOMETRIC VIEW



PANEL CUT OUT



CONNECTOR DETAILS



SALES DRAWING HD 43T40 MVD-MA1-COGP

shown in this drawing, but measurements generally apply for all HD 43T40 MVD-xxx-xxxx models.

Units: mm [inches]

Creation date / by: /	Projection:	A1	HATTELAND TECHNOLOGY an EMBRON Company ©
Last rev. date / by: /		Scale: 1:5	
Hatteland Technology AS Eikeskogvegen 52 N-5570 Aksdal		Tolerance: ISO 2768-mk	Approved by: / Revision: Drawing number: A013177