

**Manufacturer:** Hatteland Technology AS  
**Product:** 32.0 inch Multi Vision Monitor (MVD) - Console  
**Type:** HD 32T40 MVD-MAX-CyBz  
**Description:** Where x=ECDIS Calibration (4 or 1), y=Optical Bonding (O or A), z=Multi-touch (P or A)

**Last Revised:** 07 Mar 2024  
**Revision#:** 04

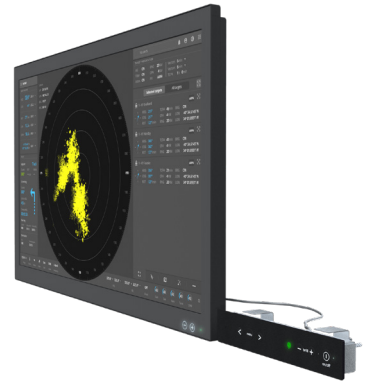
## 32.0 inch Multi Vision Monitor - Series X

### Features:

The Series X Multi Vision Monitor (MVD) range of products provides large 4K resolution monitor solutions to maritime IBS, Automation and Command Control system integrators. The cutting edge high definition LED display technology used, with its high quality brightness and contrast, enables the presentation of large amounts of data onto one screen instead of multiple monitors.

The 32 inch Series X MVD features 4K screen resolution and high-end panel technology, it provides unmatched viewing clarity in all light conditions. Its ultramodern approach represents the pinnacle of maritime monitor technology, making it the most advanced platform for the development of a new generation of sophisticated, function rich and user-friendly bridge technologies that demand only the best monitor solutions to ensure increased navigational safety and efficiency on the bridge.

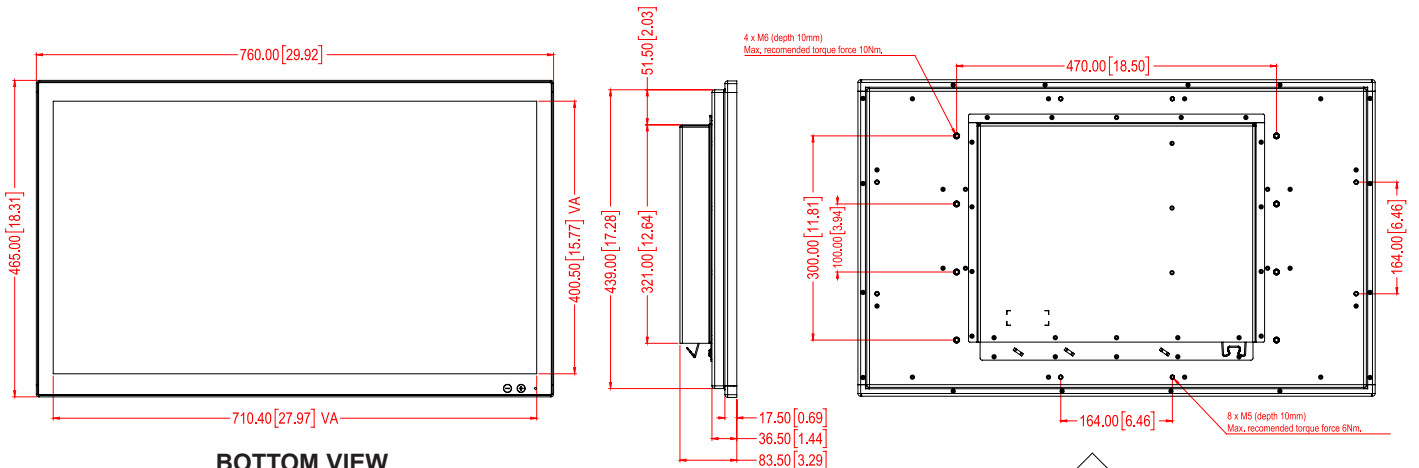
Approved for harsh maritime environments where reliability and long life time are key factors, the new 32 inch Series X MVD monitor is a robust, flexible and ergonomic solution, suitable for a wide range of bridge applications including ECDIS, radar, voyage planning, safety systems and tactical command & control platforms. Features include console or VESA mounting, an optional 40 point Multi-touch interface, optical bonding, multi-data input, built in On-Screen Display (OSD) and uniquely for a console mounted solution, an external Tactile button-control panel which can be mounted for operation of the OSD and other parameters, full dimming and the option to be supplied calibrated for ECDIS.



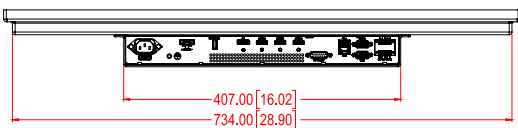
FRONT VIEW

SIDE VIEW

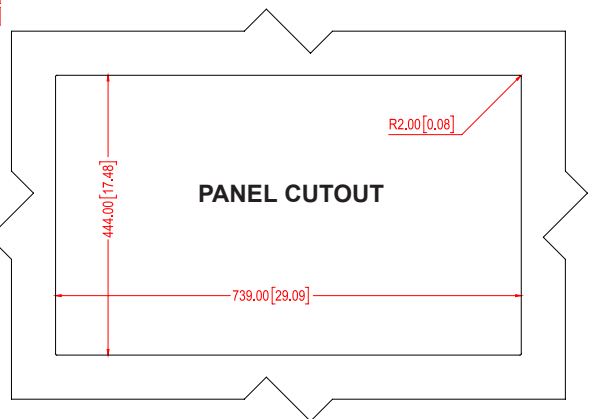
BACK VIEW



BOTTOM VIEW



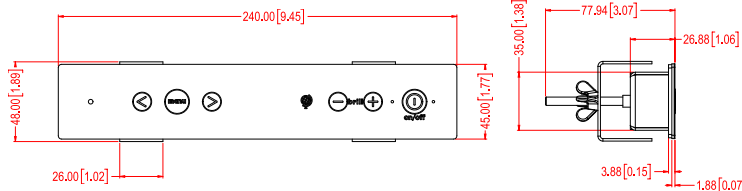
PANEL CUTOUT



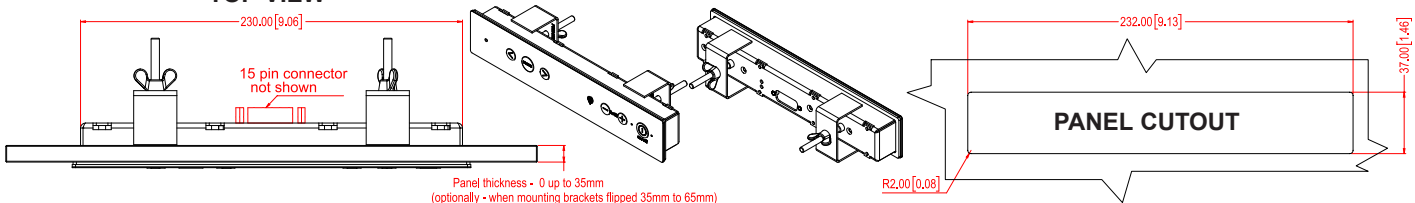
Close-up Tactile Display Controls (TDC) - HD TDCMVD KIT-A1 illustrated below.

FRONT VIEW

SIDE VIEW



TOP VIEW



Dimensions might be shown with or without decimals and indicated as mm [inches]. Tolerance on drawings is +/- 1mm. For accurate measurements, check relevant DWG file.

## TFT Technology:

- High Quality TFT with LED Backlight Technology
- 32.0 inch viewable image size, Widescreen, Aspect Ratio 16:9
- TFT active-matrix liquid crystal panel, RGB vertical stripe
- AHVA (Advanced Hyper Viewing Angles) LCD Technology

## TFT Characteristics:

- Native Resolution : 3840 x 2160 (UHD, 4K)
- Pixel Pitch (RGB) : 0.1845 (H) x 0.1845 (V) mm
- Response Time : 12 ms (typical) (G to G)
- Contrast Ratio : 1000:1 (typical)
- Light Intensity : 350 cd/m<sup>2</sup> (typical)
- Viewable Angle : +/- 89 deg. (typical) (Up/Down/Left/Right)
- Active Display Area : 708.48 (H) x 398.52 (V) mm
- Max Colors : 16.7 million

## Supported Signals:

### Resolutions:

VGA (640 x 350) to UHD (3840 x 2160\*)

\*Recommended for optimal picture quality. Review Timing Table in User Manual.

## Power Specifications:

### Multi-power Supply:

- 100&240VAC - 50/60Hz + 24 VDC

Note: You may connect either AC power or DC power or both. In case both sources are connected, power will be sourced from the AC input. If AC input is lost, there will be a uninterrupted switch-over to DC input.

### Power Consumption:

- Operating: TBDW (typ) - TBDW (max)

## Environmental Considerations:

• Operating	: Temperature -15°C to +55°C
• Storage	: Temperature -30°C to +70°C
• Humidity	: Up to 95% (Operating / Storage)
• Shock - Vibration	: 5g/11ms - 0.7g (IEC 60945 / IACS E10)
• Air Pressure Maximum Altitude	: Operating: 4000m - Storage: 12912m
• Air Pressure Maximum Altitude (Bonded)	: Operating: 3000m - Storage: 3000m
• IP Rating	: Protection: IP66 front - IP22 rear (EN60529)
• Compass Safe Distance	: Standard: 60cm - Steering: 45cm

### Lifetime Considerations:

Even though the test conditions for bridge units provide for a maximum operating temperature of 55°C, continuous operation of all electronic components should, if possible, take place at ambient temperatures of only 25°C. This is a necessary prerequisite for long life and low service costs.

## Physical Considerations:

### Product Dimensions and Weight:

- W:760.00 [29.92"] x H:465.00 [18.13"] x D:83.50 [3.29"] mm [inch]
- Weight: Approx. 13.5kg / 29.7lbs

### Product Carton Size and Weight (Shipping):

- L:TBD [TBD"] x W:TBD [TBD"] x H:TBD [TBD"] mm [inch]
- Approx weight: TBD

## Signal Terminals:

- HDMI 1.4 Input : 2 x 19p HDMI (female) - Max 3840x2160@30Hz
- HDMI 2.0 Input : 1 x 19p HDMI (female) - Max 3840x2160@60Hz
- DP 1.2 Input : 1 x 20p DisplayPort (female) - Max 3840x2160@60Hz  
Note: Max Cable length: <3m
- SCOM RS-422/485 : 1 x 5-pin Terminal Block 3.81 non-isolated + Buzzer
- SCOM+Touch : 1 x USB TYPE A Connector (female)
- SCOM Ethernet : 1 x RJ45 Connector for Remote Control
- SCOM RS-232 : 1 x 9p D-SUB (female) non-isolated
- User Interface : 1 x 9p D-SUB (male) - Potentiometer Analog Input, User Brightness (BRT), I2C and +5VDC & 12VDC OUT
- SW Interface : 1 x USB TYPE A (female) for Firmware Update
- TDC Interface : 1 x 15p D-SUB (male) for HD TDCMVD KIT-A1
- AC Power IN : 1 x Std IEC Inlet
- DC Power IN : 1 x 2-pin Terminal Block 5.08

## User Controls:

### Button Display Control™ (BDC):

- Brightness Control (-/+)
- Power LED: Video signal=Green, No signal=Yellow, Power off=Orange

### Tactile Display Controls (TDC):

- Power On/Off and On Screen Display Menu (OSD)\*
  - Brightness Control (-/+)
  - Power LED: Video signal=Green, No signal=Yellow, Power off=Red
  - Hotkeys (left/right), Mode Status Indicators (ECDIS, Service)
  - Buzzer (not visible) (75-85dB), Light Sensor (not visible)
- \*OSD Key Codes: 321=Get access to OSD, 362=Advanced Mode

## Available Accessories:

- HD TDCMVD KIT-A1 : 1 x External Tactile Display Controls (TDC)
- HD REM SX1-A1 : 1 x External Remote Control, EN60945 Tested
- HD RAK STD-B1 : 1 x 32" Retro adapter kit for console T22 to T40
- HD CMB SX2-J1 : 1 x EN60945 Console Mounting Bracket Kit
- HD VED STD-B1 : 1 x 32T40 VESA Adapter, 100/100, 100/200, 200/200mm. Not EN60945 Tested
- P0xxxxx : 1 x HD 32T40 IP66 Console Gasket

## Factory Options:

- Projected Capacitive Touch Screen (USB, Multitouch 10 fingers)\*
- Color Calibrated models (ECDIS)
- Optical Bonding Technology

\*Note: Touch models have Anti-Glare Coating (AG) + Anti-Smudge Coating (AS). While Non Touch models have Anti-Glare Coating (AG).

## Factory Default:

- HD TDCMVD KIT-A1 : 1 x External Tactile Display Controls (TDC)
- HD CMB SX2-J1 : 1 x EN60945 Console Mounting Bracket Kit
- P0xxxxx : 1 x 1 x HD 32T40 IP66 Console Gasket

# APPROVALS & CERTIFICATES

These products have been tested / type approved by the following classification societies:

**IEC 60945 4th (EN 60945:2002)**  
**BV** - Bureau Veritas\*

**IACS E10**  
**CCS** - China Classification Society\*

**EU RO MR** - Mutual Recognition\*  
**ClassNK** - Nippon Kaiji Kyokai\*

**ABS** - American Bureau of Shipping\*