

# SHD-1600FPW

In-ceiling Housing



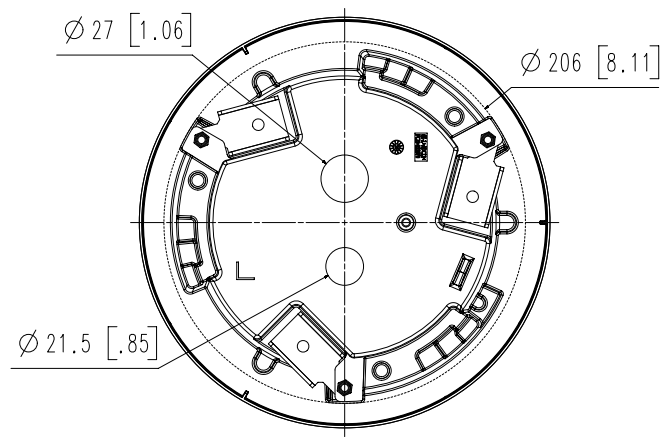
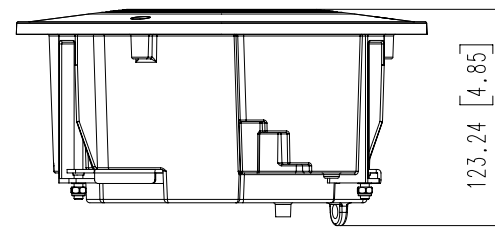
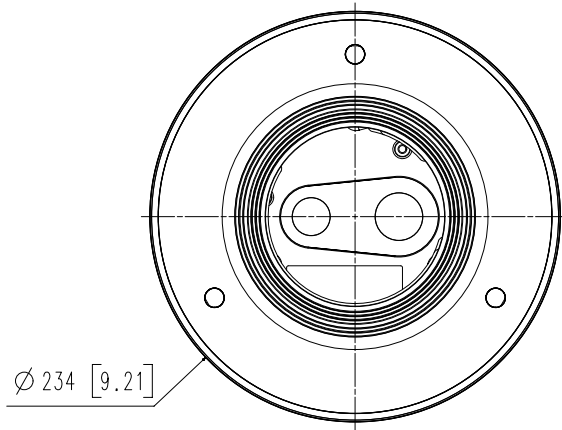
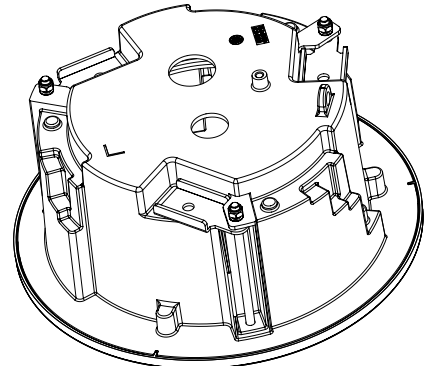
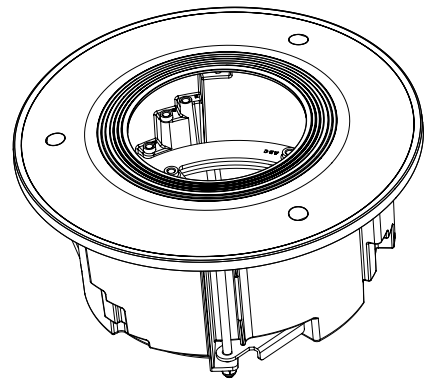
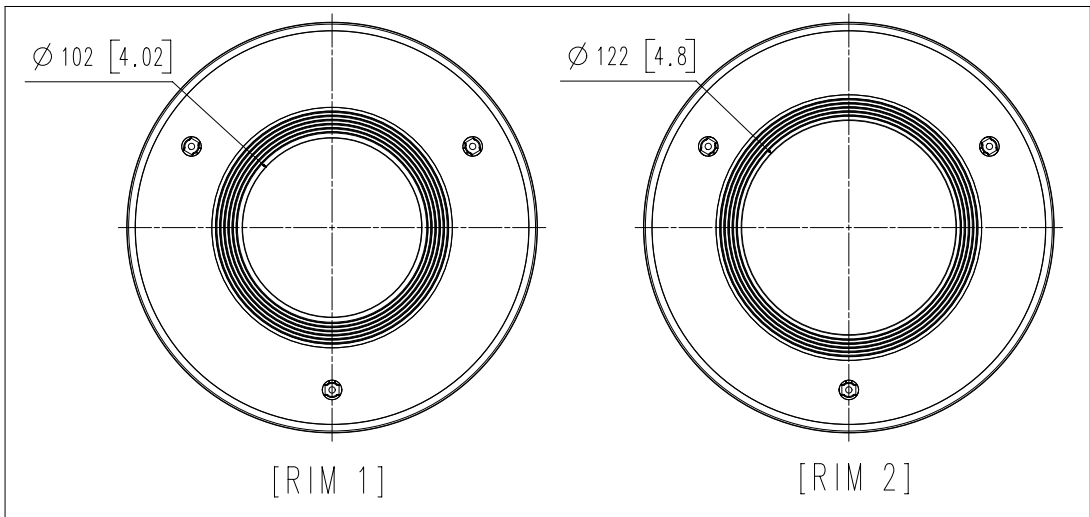
FC | UL LISTED | CE | ENEC

## Key Features

- Body: Aluminum / Rim : PC
- Dimensions : Ø234 x H123.24mm (9.21" x 4.85")
- Weight : 1,200g (2.65 lb)
- Color : White
- Universal Housing (Supports various camera models with one housing)

Mechanical	
Color	White
Material	Enclosure : Aluminum Rim : Polycarbonate(PC)
RAL code	RAL9003
Product dimensions / weight	Ø234 X 123.24(H), 1200g
Tile thickness	5~70mm
Conduit hole	19.1mm(3/4") (M25) 12.7mm(1/2") (M20)
Supported products	PNV-9080R XNF-9010RV/8010R/8010RV XND-6085/6085V XNV-6085/6120/6120R/8080R/6080R/6080 XNV-L6080R/L6080  ※ For further compatible models, please visit our website or use Toolbox  ※ camera size A : Ø160 X 140 (H) B : Ø160 X 118.5 (H) C : Ø160 X 128.5 (H) D : Ø160 X 72 (H) F : Ø146 X 65.8 (H)

- The latest product information / specification can be found at [hanwha-security.com](http://hanwha-security.com)
- Design and specifications are subject to change without notice.
- Wisenet is the proprietary brand of Hanwha Techwin, formerly known as Samsung Techwin.



1	SHD-1600FPW	'20.09.21
No.	MODEL NAME	DATE
Unit:mm[inch]		SCALE:1/1
Hanwha Techwin		