



# SBC-170CW

Skin Cover

FC |  | CE | EAC

## Key Features

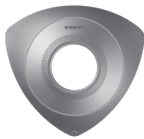
- Dimensions : 172(W)x160(D)x54.9(H)mm (6.77"x6.30"x2.16")
- Weight : 50g(0.11lb)
- Material : Poly Carbonate
- Color : White

## Compatible Accessories (Optional)

---



SBC-170CB



SBC-170C

# SBC-170CW

Skin Cover

## Specifications

### Environmental

Operating Temperature / Humidity	-10°C~+55°C(+14°F~+131°F) / Less than 95% RH
Storage Temperature / Humidity	-50°C~+60°C(-58°F~+140°F) / Less than 95% RH

### Mechanical

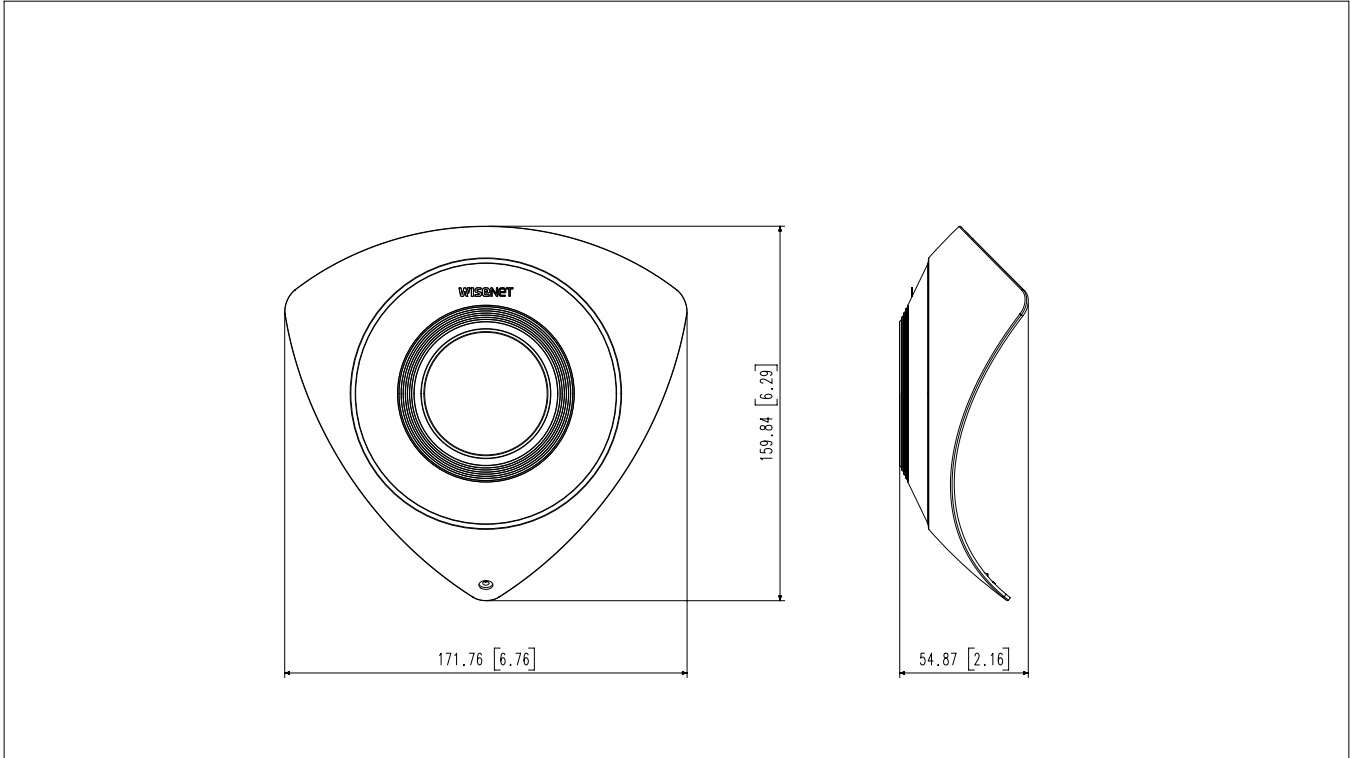
Color	White
Material	Poly Carbonate
RAL code	RAL9003
Product dimensions / weight	172(W)x160(D)x54.9(H)mm (6.77x6.30x2.16"), 50g(0.11lb)
Supported products	TNV-8011C

# SBC-170CW

Skin Cover

CAD

Unit: mm [inch]



3	SBC-170CW	'22.01.07
2	SBC-170CB	'22.01.07
1	SBC-170C	'22.01.07
No.	MODEL NAME	DATE
Unit: mm [inch] SCALE: 1/1		Hanwha Techwin

A2

© Hanwha Techwin Co., Ltd. All rights reserved.