

UHO PoE Outdoor Camera Housing

www.boschsecurity.com



BOSCH
Invented for life



- ▶ Protects camera/lens combinations up to 268 mm (10.6 inch) in length
- ▶ Stylish and sturdy housing (IP67; NEMA 4x)
- ▶ PoE power supply for camera and housing
- ▶ Heater and window defroster
- ▶ Hinged side opening for easy installation and camera setup

The PoE camera housing is a smartly styled enclosure that enables you to use a DINION camera in an outdoor or indoor environment, or in areas where the camera needs to be protected.

This housing is supplied with power via the PoE Ethernet connection or, alternatively, via a separate a 12 VDC power supply.

System overview

Secure

The sturdy housing design meets IP67 and NEMA 4X standards to protect your video surveillance equipment from adverse elements. A built-in heater and fan keep the internal temperature of the housing within the specified operating temperatures, and also keep the housing window clear in high humidity and icy conditions. A sunshield is fitted to the top of the housing.

Functions

Easily installed

The unique, hinged, side-opening design in the housing provides easy access to the camera/lens controls when mounting. Tamper-resistant screws for the locking clasps prevent unauthorized access to the

housing. Mounting holes on the base of the housing allow maximum mounting flexibility to fixed, swivel and tilt head bracket mounts.

Rugged

With a sleek design that meets IP67 and NEMA-4X standards, the PoE housing is the ideal solution for protecting your video surveillance equipment from adverse elements.

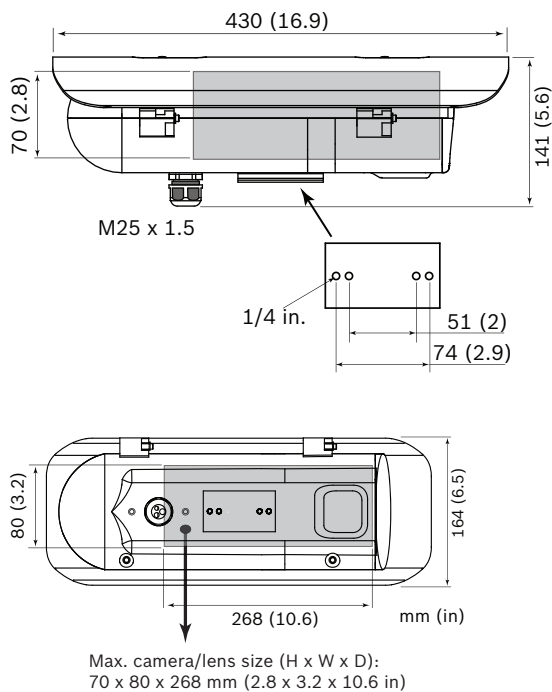
Connections

A single cable gland (M25 x 1.5) in the foot of the housing allows a seal-tight connection for Ethernet (PoE) power, and optionally, 12 VDC and alarm or audio cables. The housing and camera are powered via a PoE Ethernet cable or, in the absence of PoE, via an external 12 VDC power supply routed through the housing power supply.

Certifications and approvals

Safety	acc. to EN 60065-1 (CE)
Immunity	acc. to EN 50130-4 (CE)
Emission	acc. to EN 55022 class B (CE) acc. to EN 61000-3-2 (CE); EN 61000-3-3 (CE) acc. to FCC CFR 47 Part 15, Class B

Installation/configuration notes



Technical specifications

Mechanical

Dimensions (H x W x L)	141 x 164 x 430 mm (5.6 x 6.5 x 16.9 in.) including sunshield
Weight	2.2 kg (4.9 lb)
Construction	Aluminum casing, silicone gaskets, all stainless steel hardware
Color	Gray
Window	3 mm (0.12 in) glass
Locking clasps	Tamper-resistant screws provided
Camera mounting	Removable camera/lens tray, mounted with two screws
Max. camera + lens size (H x W x L)	70 x 80 x 268 mm (2.8 x 3.2 x 10.6 in)
Mounting holes	2x pair of 1/4-20 tapped holes inner pair: 51 mm (2.0 in) center-to-center outer pair: 74 mm (2.9 in) center-to-center

Electrical

Power supply	Power-over-Ethernet 48 VDC nominal or 12 VDC (switchable)
Maximum power consumption	30 W

Environmental

Operating temperature - external	-30 °C to +50 °C (-22 °F to +122 °F)
Operating temperature - internal*	-20 °C to +50 °C (-4 °F to +122 °F)
Enclosure protection	IP67, NEMA-4X

* refer to camera specification to ensure compliance with internal temperature limits

Ordering information

UHO PoE Outdoor Camera Housing

Outdoor camera housing with PoE input. IP67; cable gland
Order number **UHO-POE-10**

Accessories

LTC 9215/00 Mount

Wall mount for UHO outdoor housing – 18 cm (7°in.), cable feed-through
Order number **LTC9215/00**

LTC 9215/00S Mount

Short wall mount for UHO outdoor housing - 30cm (12°in>), cable feed-through
Order number **LTC9215/00S**

LTC 9219/01 J-Mount

Feed-through J- mount for LTC/HSG 948x, HSG9583 and UHI/UHO housings
Order number **LTC9219/01**

Represented by:

Americas:

Bosch Security Systems, Inc.
130 Perinton Parkway
Fairport, New York, 14450, USA
Phone: +1 800 289 0096
Fax: +1 585 223 9180
security.sales@us.bosch.com
www.boschsecurity.us

Europe, Middle East, Africa:

Bosch Security Systems B.V.
P.O. Box 80002
5617 BA Eindhoven, The Netherlands
Phone: + 31 40 2577 284
Fax: +31 40 2577 330
emea.securitysystems@bosch.com
www.boschsecurity.com

Asia-Pacific:

Robert Bosch (SEA) Pte Ltd, Security
Systems
11 Bishan Street 21
Singapore 573943
Phone: +65 6571 2808
Fax: +65 6571 2699
apr.securitysystems@bosch.com
www.boschsecurity.asia

China:

Bosch (Shanghai) Security Systems Ltd.
203 Building, No. 333 Fuquan Road
North IBP
Changning District, Shanghai
200335 China
Phone +86 21 22181111
Fax: +86 21 22182398
www.boschsecurity.com.cn

America Latina:

Robert Bosch Ltda Security Systems Division
Via Anhanguera, Km 98
CEP 13065-900
Campinas, Sao Paulo, Brazil
Phone: +55 19 2103 2860
Fax: +55 19 2103 2862
latam.boschsecurity@bosch.com
www.boschsecurity.com