

# UHO Outdoor Camera Housings

www.boschsecurity.com



**BOSCH**  
Invented for life



- ▶ Protects camera/lens combinations up to 262 mm (10.32 inch) in length
- ▶ Hinged side opening for easy installation and camera setup
- ▶ IP66, NEMA-4X rating
- ▶ Sunshield included
- ▶ Window defroster with self-cleaning glass

The UHO camera housings are smartly styled enclosures that enable you to use the DINION family of cameras in an outdoor environment or in areas where the cameras need to be protected. Models are available for use with 24 VAC, 120 VAC, and 230 VAC power supplies. Depending on the version, they can be used with 12 VDC, 24 VAC, 120 VAC, and 230 VAC cameras.

## Functions

### Easy installation

The hinged, side-opening design allows easy installation of camera/lens combinations, and gives access to the controls even when the housing is mounted. Power and video cabling can be routed through feed-through fittings or external 4-pin power and BNC connectors at the rear of the housing. Feed-through entry holes are available in the base of some models for even better cable management. Mounting holes in the base can be used to install the housing on a wide range of pan/tilts, adjustable heads, and various camera mount brackets.

### Temperature regulated

The aluminum-constructed housings have two heaters (one for window defrosting and one for the housing interior), and an optional blower. The interior heater maintains the internal temperature of the housing in

cold temperature conditions to extend the lower temperature limit to -40 °C (-40 °F). The permanently powered window defroster heater and the optional blower minimize fogging in high humidity locations. Sunshields are included on all models.

### Secure

For increased security, the units come with tamper-resistant screws for the locking clasps to prevent unauthorized access.

### Rugged

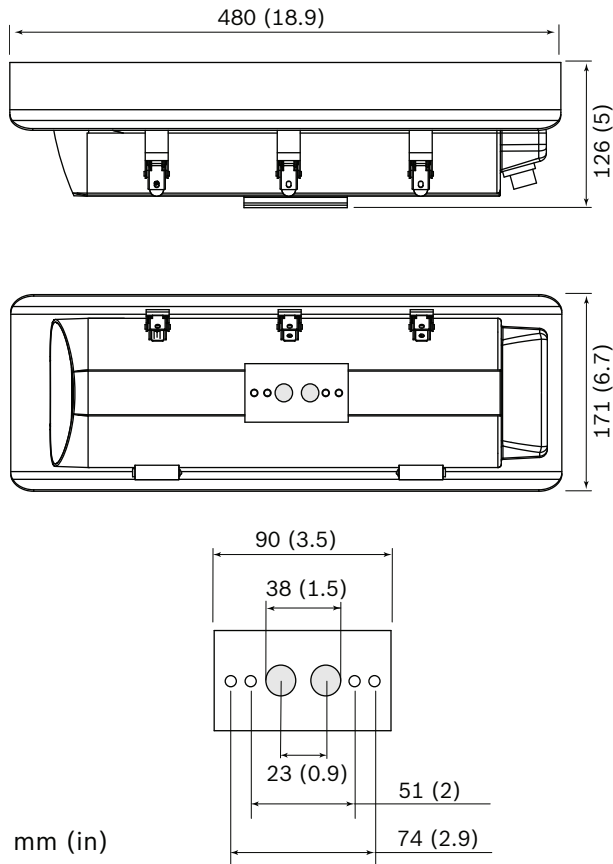
With a sleek design that meets IP66 and NEMA-4X standards, the housings are the ideal solution for protecting your video surveillance equipment from adverse elements.

## Certifications and approvals

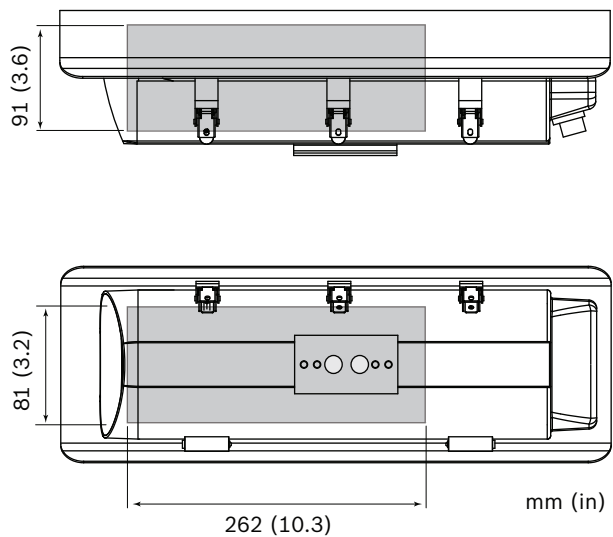
Safety	acc. to EN 60065-1 (CE)	
Immunity	acc. to EN 50130-4 (CE)	
Emission	acc. to EN 55022 class B (CE) acc. to EN 61000-3-2 (CE); EN 61000-3-3 (CE) acc. to FCC CFR 47 Part 15, Class B	
Region	Certification	
Europe	CE	UHO

**Installation/configuration notes**

**Dimensions**



**Maximum size of camera and lens**



**Technical specifications**

**Mechanical**

Dimensions (H x W x L)	126.5 x 171.3 x 480 mm (5 x 6.7 x 18.9 in.) including sunshield
Weight	3.1 kg (6.8 lb)
Weight (with blowers)	3.2 kg (7.1 lb)
Construction	Aluminum casing, silicone gaskets, all stainless steel hardware
Color	Gray
Window	3 mm (0.12 in) glass
Locking clasps	Tamper-resistant screws provided
Camera mounting	Removable camera/lens tray, mounted with two screws
Max. camera + lens size (H x W x L)	91 x 81 x 262 mm (3.6 x 3.2 x 10.3 in)
Mounting holes	2x pair of 1/4-20 tapped holes inner pair: 51 mm (2.0 in) center-to-center outer pair: 73 mm (2.9 in) center-to-center

**Electrical**

Housing Voltage supply	11 models: 24 VAC nominal (50/60 Hz) 51 models: 230 VAC nominal (50 Hz) 61 model: 120 VAC nominal (60 Hz)
Housing power consumption	With blower: 45 W Without blower: 40 W
Maximum camera power consumption	10 W

**Connectors (UHO-HGS and UHO-HBGS)**

Rear fittings	1x cable diameter: 5.5 to 8 mm (0.14 to 0.32 in) 2x cable diameter: 5.8 to 10 mm (0.23 to 0.39 in)
Bottom feeds	2x cable diameter: 4.5 to 7.9 mm (0.18 to 0.31 in)

**Connectors (UHI-HBPS and UHO-HPS)**

Rear connectors	1x 4-pin (power) 1x BNC (video)
-----------------	------------------------------------

**Environmental**

Operating temperature - external	-40 °C to +50 °C (-40 °F to +122 °F)
Operating temperature - internal <sup>1</sup>	-20 °C to +55 °C (-4 °F to +131 °F)

Enclosure protection <sup>2</sup>	IP66, NEMA-4X
NEMA TS 2-2003 (R2008), para 2.1.5.1 using fig. 2.1 test profile	-34 °C to +74 °C (-30 °F to +165 °F)

1 refer to camera specification to ensure compliance with internal temperature limits

2 for extreme environments, refer to the Bosch Extreme product range

### Ordering information

#### UHO-HBGS-11 Outdoor Housing

Outdoor housing for (24 VAC / 12 VDC) camera.  
24 VAC power supply; blower; feed-through cabling  
Order number **UHO-HBGS-11**

#### UHO-HBGS-51 Outdoor Housing

Outdoor housing for (230 VAC / 12 VDC) camera.  
230 VAC power supply; blower; feed-through cabling  
Order number **UHO-HBGS-51**

#### UHO-HBGS-61 Outdoor Housing

Outdoor housing for (120 VAC / 12 VDC) camera.  
120 VAC (60 Hz) power supply; blower; feed-through cabling  
Order number **UHO-HBGS-61**

#### UHO-HBPS-11 Outdoor Housing

Outdoor housing for (24 VAC / 12 VDC) camera.  
24 VAC power supply; blower; external BNC and power connectors  
Order number **UHO-HBPS-11**

#### UHO-HBPS-51 Outdoor Housing

Outdoor housing for (230 VAC / 12 VDC) camera.  
230 VAC power supply; blower; external BNC and power connectors  
Order number **UHO-HBPS-51**

#### UHO-HGS-11 Outdoor Housing

Outdoor housing for (24 VAC / 12 VDC) camera.  
24 VAC power supply; feed-through cabling  
Order number **UHO-HGS-11**

#### UHO-HGS-51 Outdoor Housing

Outdoor housing for (230 VAC / 12 VDC) camera.  
230 VAC power supply; feed-through cabling  
Order number **UHO-HGS-51**

#### UHO-HPS-51 Outdoor Housing

Outdoor housing for (230 VAC / 12 VDC) camera.  
230 VAC power supply; external BNC and power connectors  
Order number **UHO-HPS-51**

### Accessories

#### HAC-TAMP01 Tamper Switch

Tamper switch kit for HSG and UHI/UHO series enclosures  
Order number **HAC-TAMP01**

#### LTC 9215/00 Mount

Wall mount for UHO outdoor housing – 18 cm (7 in.), cable feed-through  
Order number **LTC9215/00**

#### LTC 9215/00S Mount

Short wall mount for UHO outdoor housing – 30 cm (12 in.), cable feed-through  
Order number **LTC9215/00S**

#### LTC 9219/01 J-Mount

Feed-through J- mount for LTC/HSG 948x, HSG9583 and UHI/UHO housings  
Order number **LTC9219/01**

**Represented by:**

**Americas:**

Bosch Security Systems, Inc.  
130 Perinton Parkway  
Fairport, New York, 14450, USA  
Phone: +1 800 289 0096  
Fax: +1 585 223 9180  
security.sales@us.bosch.com  
www.boschsecurity.us

**Europe, Middle East, Africa:**

Bosch Security Systems B.V.  
P.O. Box 80002  
5617 BA Eindhoven, The Netherlands  
Phone: + 31 40 2577 284  
Fax: +31 40 2577 330  
emea.securitysystems@bosch.com  
www.boschsecurity.com

**Asia-Pacific:**

Robert Bosch (SEA) Pte Ltd, Security  
Systems  
11 Bishan Street 21  
Singapore 573943  
Phone: +65 6571 2808  
Fax: +65 6571 2699  
apr.securitysystems@bosch.com  
www.boschsecurity.asia

**China:**

Bosch (Shanghai) Security Systems Ltd.  
203 Building, No. 333 Fuquan Road  
North IBP  
Changning District, Shanghai  
200335 China  
Phone +86 21 22181111  
Fax: +86 21 22182398  
www.boschsecurity.com.cn

**America Latina:**

Robert Bosch Ltda Security Systems Division  
Via Anhanguera, Km 98  
CEP 13065-900  
Campinas, Sao Paulo, Brazil  
Phone: +55 19 2103 2860  
Fax: +55 19 2103 2862  
latam.boschsecurity@bosch.com  
www.boschsecurity.com