

NDA-8000-PIPW Pendant interface plate, outdoor

www.boschsecurity.com



BOSCH

Invented for life



- ▶ Allows installation of your camera to a wall mount (NDA-U-WMT) or pendant pipe mount (NDA-U-PMT)
- ▶ Modular design for fast and easy installation
- ▶ One accessory line for multiple camera families from Bosch
- ▶ Weather resistant finish to maintain cosmetic appearance

This camera-specific accessory is designed for use with the new line of Bosch's universal accessories. The modular camera mounts & accessories are a family of mounts, mounting adapters, pendant interface plates and surveillance cabinets which can be used with a wide range of Bosch cameras. The accessories are easy to install and can be combined to simplify installation in multiple locations whilst retaining the same look and feel.

Functions

The NDA-8000-PIPW is designed especially for outdoor use with FLEXIDOME IP 8000i.

It provides a safe, robust and watertight solution to mount your camera to:

- NDA-U-WMT Pendant wall mount
- NDA-U-PMT Pendant pipe mount

Certifications and approvals

Environmental

Salt mist	IEC60068-2-52
Impact	IK10
Anti UV	IEC60068-2-5

Parts included

Quantity	Component
1	Pendant interface plate + Weather protector
4	M6 x 12 mm T25 screw
1	M4 x 16 mm T25 screw
1	Quick Installation Guide

Technical specifications

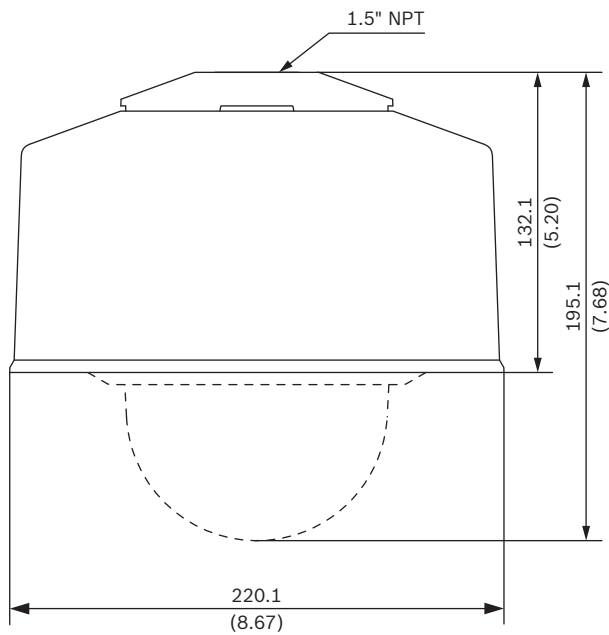
Mechanical

Dimensions	Φ 220.1 mm (8.67 in), H = 132.1 mm (5.20 in)
Weight	303 g (0.7 lb) (product) 572 g (1.3 lb) (combined with NDA-8000-PIP)
Standard Color	White (RAL 9003)
Construction Material, Pendant interface plate	Aluminum alloy
Construction Material, Weather protector	Polycarbonate

Dimensions in mm (inch)

Ordering information

NDA-8000-PIPW Pendant interface plate, outdoor
Pendant interface plate including weather protector for FLEXIDOME IP 8000i, outdoor.
Order number **NDA-8000-PIPW**



Represented by:

Europe, Middle East, Africa:
Bosch Security Systems B.V.
P.O. Box 80002
5600 JB Eindhoven, The Netherlands
Phone: + 31 40 2577 284
emea.securitysystems@bosch.com
emea.boschsecurity.com

Germany:
Bosch Sicherheitssysteme GmbH
Robert-Bosch-Ring 5
85630 Grasbrunn
Germany
www.boschsecurity.com

North America:
Bosch Security Systems, Inc.
130 Perinton Parkway
Fairport, New York, 14450, USA
Phone: +1 800 289 0096
Fax: +1 585 223 9180
onlinehelp@us.bosch.com
www.boschsecurity.us

Asia-Pacific:
Robert Bosch (SEA) Pte Ltd, Security Systems
11 Bishan Street 21
Singapore 573943
Phone: +65 6571 2808
Fax: +65 6571 2699
apr.securitysystems@bosch.com
www.boschsecurity.asia